



MADE IN THE USA!



Do you have a job that does not require FM approval?


Use our 3" NOFUM™ Insulation Plates! They are produced to the same standards as FM approved plates...but without the FM approval!

Designed to be use with standard DEKFAST screws in roofs that are not FM approved.

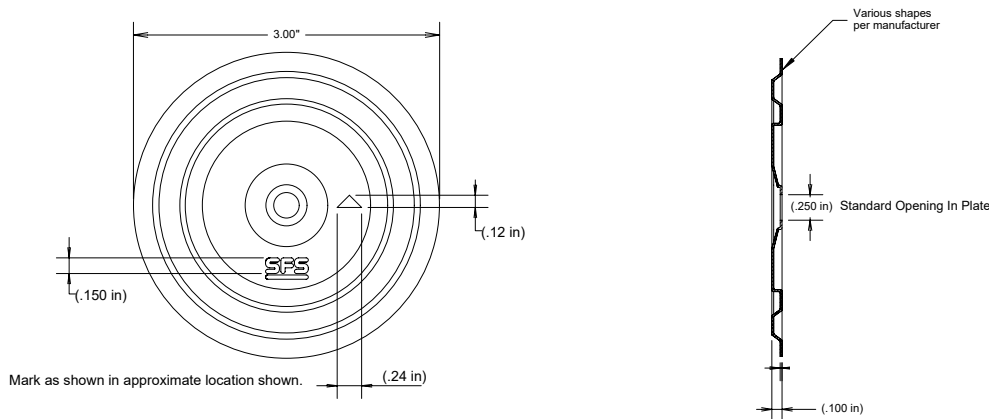
Applications

Use on non-FM approved jobs to secure insulation and cover boards.

Can be used with #12, #14, & 1/4" DEKFAST® screws, #14 & 1/4" CONCEALOR® pancake head screws, and 1/4" Dekspike Nail-In Concrete Anchor

	Features <ul style="list-style-type: none">• Flat bottom for use on rigid board surfaces.• 26 ga. AZ50 Coated AL-ZN Galvalume® steel.• Clearly identified with a ∇ stamped into the plate.
--	---

Specifications



Description: 3" Round Insulation Plates NOFUM
O.D.: 3"
Thickness: .019" (26ga)
Finish: AZ50 Zinc/Aluminum
Part Number: 300PLNOFM
Approvals: Meets TFC specifications as listed on this document
Country of Origin: USA

Contact the TFC TECH Center for more information

GALVALUME is an internationally recognized trademark of BIEC International Inc., and some of its licensed producers.

DISCLAIMER: ALL TESTS RESULTS AND SPECIFICATIONS ARE A RESULT OF LABORATORY TESTS. APPROPRIATE SAFETY FACTORS SHOULD BE USED BY THE USER OR SPECIFIER. DETERMINING THE PROPER FASTENER IS THE RESPONSIBILITY OF THE USER OR SPECIFIER. SINCE APPLICATION CONDITIONS VARY AND ARE UNCONTROLLABLE BY TFC, WE ASSUME NO LIABILITY FOR THE USE OF THIS INFORMATION.

All information is non-binding and without guarantee. Before using the products, all specifications and calculations must be checked by a suitably qualified person and local regulations must be observed. This document is subject to revision. We reserve the right to make technical changes. (0321-1)