

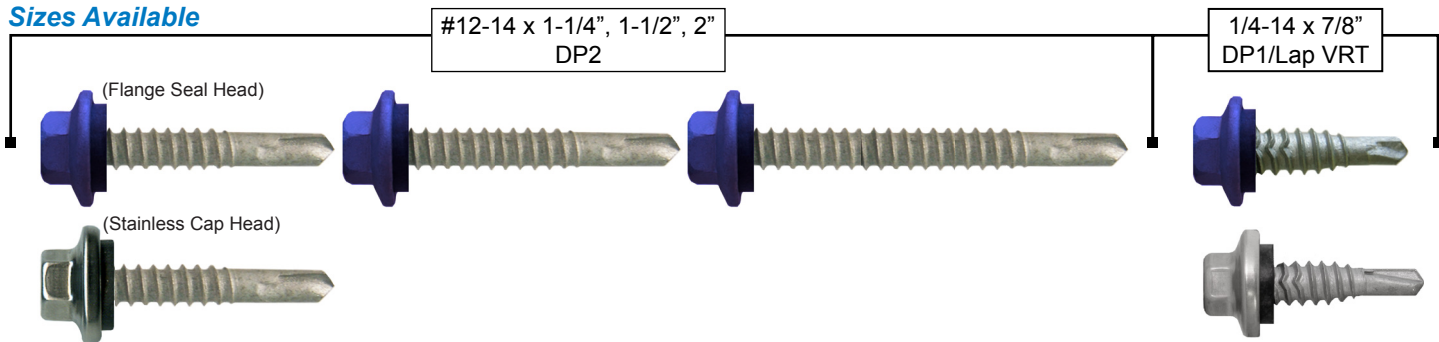
BLAZER[®] DRILL SCREWS

Painted

We have a large selection of painted fasteners in-stock and ready for immediate shipment.



Sizes Available

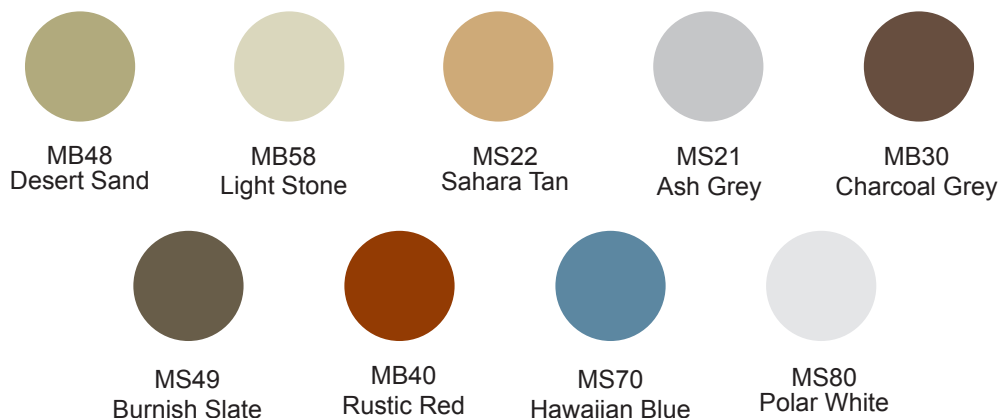


Colors Available in Stock

- C-1022 Carbon Steel
- FLANGE-SEAL Head with Non-conductive EPDM Sealing Washer
- Stainless Cap Head with EPDM Sealing Washer.

**All screws are TRI-SEAL[®] Long-life coated with EPDM sealing washer for exceptional weatherability!*

**NOTE: The actual colors will vary from these swatches due to variations in monitors and printers. Contact TFC for actual color samples.*



Don't see the color or size you need?

We can match your specific color in 5 days or less!

			DIAMETERS			
			FS = Flange-Seal Head SC = Stainless Cap Head			
			1/4-14		#12-14	
			Length		Length	
TFC COLOR NAME	TFC PAINT CODE #	Panel Color Match	7/8" DP1 VRT	1-1/4" DP2	1-1/2" DP2	2" DP3
Sahara Tan	ms22	Mocha Tan #22 Metal Sales	FS, SC	FS, SC		
Polar White	ms80	Polar White #80 Metal Sales	FS, SC	FS, SC	FS	FS
Burnished Slate	ms49	Burnished Slate #49 Metal Sales	FS	FS	FS	FS
Ash Grey	ms25	Ash Grey #25 Metal Sales	FS	FS	FS	FS
Hawaiian Blue	ms70	Hawaiian Blue #70 Metal Sales	FS	FS		
Desert Sand	mb48	Desert Sand MB48 MBCI	FS	FS		
Light Stone	mb58	Light Stone MB58 MBCI	FS, SC	FS, SC	FS	FS
Charcoal Grey	mb30	Charcoal Grey MB30 MBCI	FS	FS		
Rustic Red	mb40	Rustic Red MB40 MBCI	FS	FS		

CW032717